

80 Series Revolution & Direct Drive Counters



FEATURES:

- One touch reset button
- Highly visible 5 digits
- Long mechanical life
- Great price
- High speed

DESCRIPTION:

The LB-80-5 is a revolution counter. It increments 1 count per revolution, is bi-directional and resets with the push of a button.

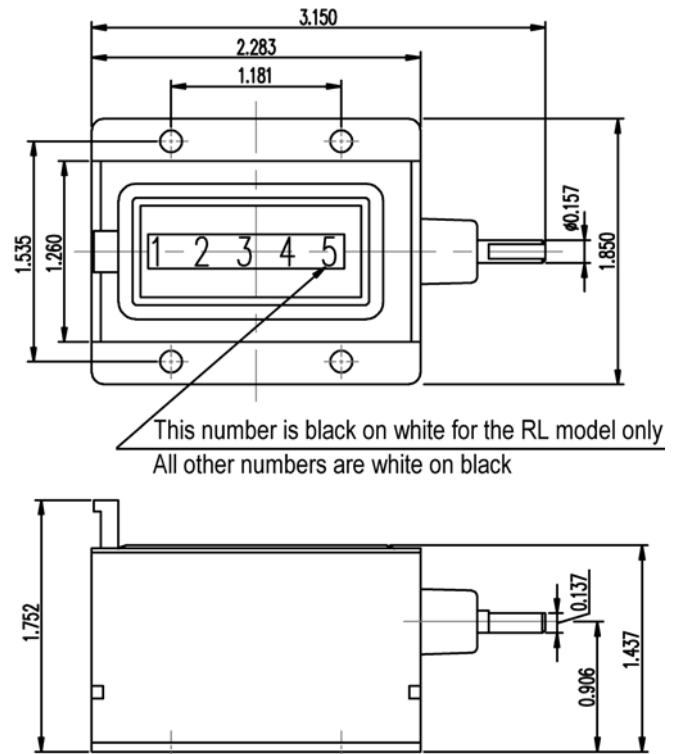
The RL-80-5 is a direct drive counter. It increments 10 counts per revolution, is bi-directional and resets with the push of a button.

The 80 series price and features make it well suited for OEM equipment. Typical applications include tool machines, winding machines, automatic machines, presses, shearing machines, printing machines, measuring of tape, rope, extruded material, etc...

SPECIFICATIONS:

Model	LB-80-5	RL-80-5
Function	Revolution 1:1, 1 count per revolution, bi-directional	Direct drive 10:1, 10 counts per revolution bi-directional
Digits	5 digits	
Figure Size	0.2" x 0.1"	
Shaft Diameter	.157"	
Shaft Position	Right side	
Direction	Top going	
Reset	Button: one touch reset button. Do not reset while in motion	
Max. Speed	400 rpm	
Housing	Metal base and cover; Plastic lens and reset button	
Weight	3 oz	

DIMENSIONS: inches



TOP GOING

