
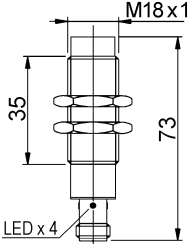
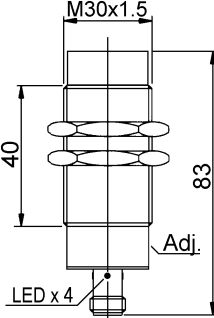
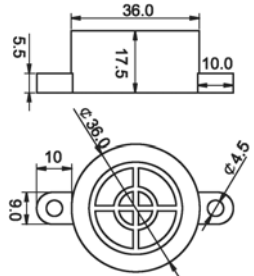


## Capacitive Sensors

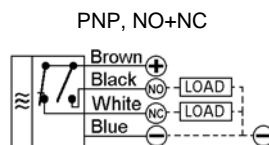
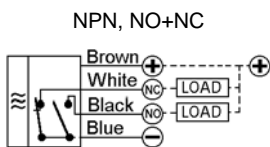


**FEATURES:**

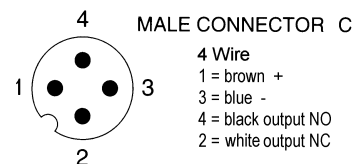
- Starting as low as **\$39.00** each
- **Mating M12S2M... connector with 2 meters of cable included with connector versions**
- Each sensor has both NO (normally open) and NC (normal closed) outputs
- Protection degree IP67: dust tight and protection from the effects of immersion
- Short circuit & reverse polarity protection

		MODEL		
Output Function	NPN, NO+NC	C18MU8NSC	C30MU15NSC	C36PU15NS
	PNP, NO+NC	C18MU8PSC	C30MU15PSC	C36PU15PS
Dimensions: mm 1" = 25.4 mm 1 mm = .03937"  				
<b>Operating Distance (Sn)</b>		<b>8 mm Adjustable</b>	<b>15 mm Adjustable</b>	<b>15 mm Adjustable</b>
External Diameter		M18 x 1	M30x 1.5	∅ 36
Power Supply		10 - 30 Vdc		
Max Switching Current		200 mA		
Power Drain (24Vdc)		< 15 mA		
Voltage Drop		< 2 V		
Short Circuit Protection		Yes		
Operating Frequency		30Hz		
Repeatability (%Sn)		≤ 5%		
Case		Nickel-plated brass		Plastic
Flush Mounting		No		
Protection Degree		IP 67		
Operating Temperature		- 25 to +70 °C		
Output Connection		Connector C*		Cable: L = 2 m

**WIRING:**



**CONNECTOR:**



\* Mating connector with 2 meters of cable included with connector versions