

# EXtreme Operating Distance Series

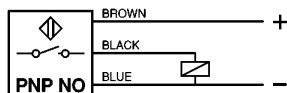
**FEATURES:**

- Up to **4 times** larger operating distance than standard sensors
- 8mm & 12mm versions are semi-flush mountable
- Short circuit & reverse polarity protection
- Protection degree IP67: dust tight and protection from the effects of immersion
- LED function indicator

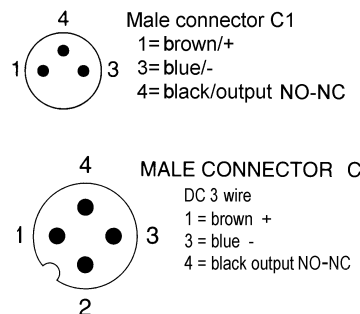
		MODEL		
Output Function	PNP, NO*	X0012	X0032	X0072
Dimensions: mm 1" = 25.4 mm 1 mm = .03937" (not to scale)				
<b>Operating Distance (Sn)</b>		<b>4 mm</b>	<b>8 mm</b>	<b>50mm adjustable</b>
External Diameter		M8 x 1	M12 x 1	M30 x 1.5
Power Supply		10 - 30 Vdc		
Max Switching Current		200 mA max		
Power Drain (24Vdc)		< 8 mA		
Voltage Drop		< 1.5 V @ 200 mA		
Short Circuit Protection		Yes self-resetting		
Operating Frequency		500 Hz		100 Hz
Repeatability (%Sn)		≤ 1%		
Hysteresis (%Sn)		3-15 %		
Case		Nickel plated brass		
Flush Mounting		Semi-Flush		No
Protection Degree		IP 67		
Operating Temperature		- 25 to +75 °C		
Output Connection		Connector C1	Connector C	

\* Additional output functions available upon request

**WIRING:**



**CONNECTOR:**



**Mating Connectors:**

ID#	Type	Description
S3480	C1	right angle w/ 5 meter cable
S3481	C1	straight w/ 5 meter cable
M8A2M3W	C1	right angle w/ 2 meter cable
M8A5M3W	C1	right angle w/ 5 meter cable
M8S2M3W	C1	straight w/ 2 meter cable
M8S5M3W	C1	straight w/ 5 meter cable
S3496/2	C	right angle w/ 2 meter cable
S3496	C	right angle w/ 5 meter cable
S3499/2	C	straight w/ 2 meter cable
S3499	C	straight w/ 5 meter cable



These products are not suitable and should not be used in life - safety applications or any application where bodily injury may result from sensor failure.