

NAMUR Inductive Proximity Sensors

WORKING PRINCIPLE

These sensors act as a variable resistor. With the active surface free, they have a low output resistance. In the presence of a metal target the output resistance is high. The resulting variation in the current is used to control a signal amplifier.

TECHNICAL CHARACTERISTICS

Nominal voltage: 8 Vdc (7,7 - 9V) - Load resistance 1K ohms

Output current: In the presence of metals < 1 mA


Output current: In the absence of metals > 3 mA

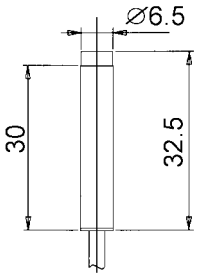
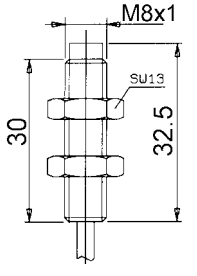
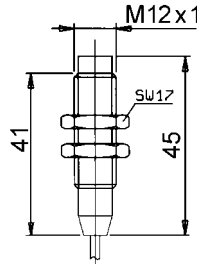
These sensors can be used in a variable voltage field from 5 to 30 Vdc.

AMPLIFIERS

All the NAMUR sensors can operate in connection with the following amplifiers: ALNC type for 1 sensor; ALTP delayed type for 1 sensor or ALN2 type for 2 sensors. Furthermore, they can be connected to the electronic rotation controls CRTP.

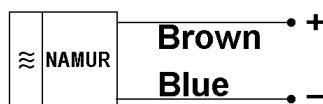
FEATURES:

- Conforming to NAMUR standards (DIN 19234)
- Pre-wired cable or connector models
-  Compliant to the EMC directive

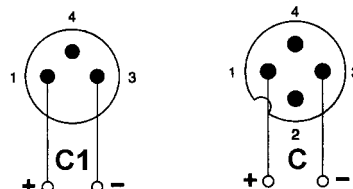
	MODEL					
2 Meters Cable, PVC	S3240	S3241	S3242	S3243	S3244	S3245
Connector C1	S3260	S3261	S3262	S3263		
Connector C					S3264	S3265
Dimensions*: mm 1 mm = .03937"						
* Flush mounting units have the shorter length, while non-flush mounting units have the longer length	Add 9mm to length for connector version		Add 20mm to length for connector version		Add 4mm to length for connector version	
Operating Distance	1 mm	2 mm	1 mm	2 mm	2 mm	4 mm
External Diameter	Ø 6.5 mm		M8 x 1		M12 x 1	
Power Supply	8.2, 5 - 30 Vdc					
Operating Frequency	2000 Hz max					
Repeatability	≤ 3% mm					
Case	Nickel Plated Brass					
Flush Mounting	Yes	No	Yes	No	Yes	No
Protection Degree	IP 67					
Operating Temp.	- 25 to +70 °C					

WIRING:

Cable Version



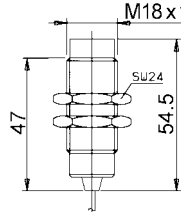
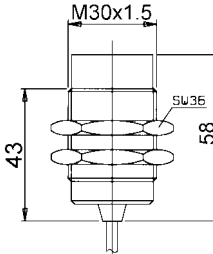
Connector Versions

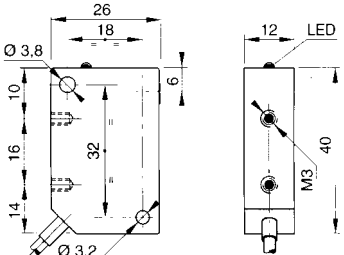
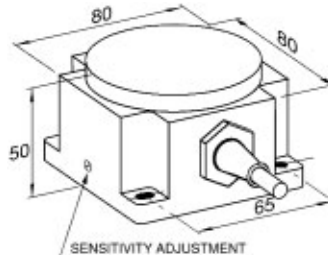


MATING CONNECTORS:

ID#	Type	Description
S3494	C	right angle w/ 2 meter cable
S3495	C	right angle w/ 5 meter cable
S3497	C	straight w/ 2 meter cable
S3498	C	straight w/ 5 meter cable
S3480	C1	right angle w/ 5 meter cable
S3481	C1	straight w/ 5 meter cable

Inductive

	MODEL			
2 Meters Cable, PVC	S3246	S3247	S3248	S3249
Connector C	S3266	S3267	S3268	S3269
Dimensions*: mm 1 mm = .03937"	 <p>Add 4mm to length for connector version</p>		 <p>Add 8mm to length for connector version</p>	
Operating Distance	5 mm	8 mm	10 mm	15 mm
External Diameter	M 18 x 1		M 30 x 1.5	
Power Supply	8.2, 5 - 30 Vdc			
Operating Frequency	1000 Hz max		500 Hz max	
Repeatability	≤ 3%			
Case	Nickel-plated brass		Nickel-plated brass	
Flush Mounting	Yes	No	Yes	No
Protection Degree	IP 67			
Operating Temperature	- 25 to +70 °C			

	MODEL		
2 Meters Cable, PVC	S3251	S3252	S3250
Connector C1	S3271	S3272	
Connector C2 (included)			S3270
Dimensions*: mm 1 mm = .03937"			
Operating Distance	2 mm	4 mm	10-60 adjustable
Power Supply	8.2, 5 - 30 Vdc		
Operating Frequency	2000 Hz		100 HZ
Repeatability	≤ 3%		
Case	Plastic		
Flush Mounting	Yes	No	No
Protection Degree	IP 67		
Operating Temperature	- 25 to +70 °C		

Many other shapes and sizes available