

## Limit Switch Style DC 2/4 & AC 2 Wire

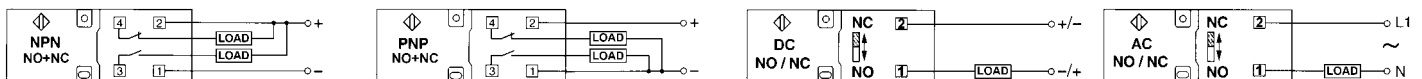
**FEATURES:**

- Sensing head can be oriented in 5 different directions
- 4 wire DC models have both NO and NC outputs
- 2 wire AC and DC models are NO or NC programmable
- Short circuit & reverse polarity protection in DC versions
- Protection degree IP67: dust tight and protection from the effects of immersion
- LED function indicator

		MODEL					
		4 Wire DC		2 Wire DC		2 Wire AC	
Output Function	NPN, NO+NC	S3150	S3152				
	PNP, NO+NC	S3151	S3153				
	NO/NC select			S3154	S3155	S3310	S3311
Dimensions: mm 1 mm = .03937"							
<b>Operating Distance (Sn)</b>		<b>15 mm</b>	<b>20 mm</b>	<b>15 mm</b>	<b>20 mm</b>	<b>15 mm</b>	<b>20 mm</b>
Power Supply		10-55 Vdc		10-55 Vdc		20-250 Vac	
Max Switching Current		200 mA		100 mA		300 mA	
Min Switching Current		—		< 1.5 mA		5 mA	
Max Peak Current for 20ms		—		—		1.5 A	
Residual Current		—		< 0.6 mA		< 1 mA	
Power Drain (24Vdc)		< 10 mA		—		—	
Voltage Drop (sensor ON)		< 1.8		< 6.5		< 6	
Short Circuit Protection		Yes					
Operating Frequency		300 Hz				12 Hz	
Repeatability (%Sn)		≤ 3 %					
Hysteresis (%Sn)		< 10%					
Case		Plastic					
Flush Mounting		Yes *	No	Yes *	No	Yes *	No
Protection Degree		IP 65					
Operating Temperature		- 25 to 70 °C					
Output Connection		Terminal Block					

\* Sensing head must extend ≥ 6 mm out from surrounding metal for flush mounting

**WIRING:**



## Inductive

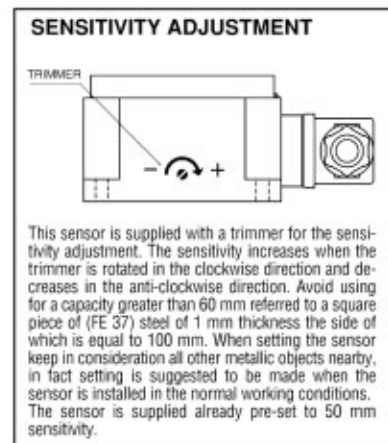
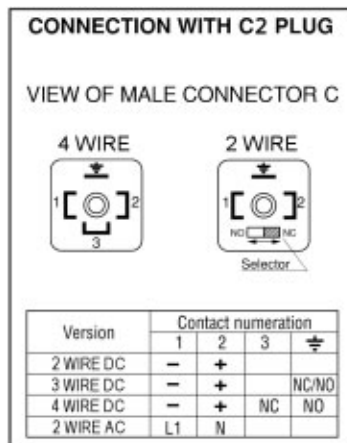
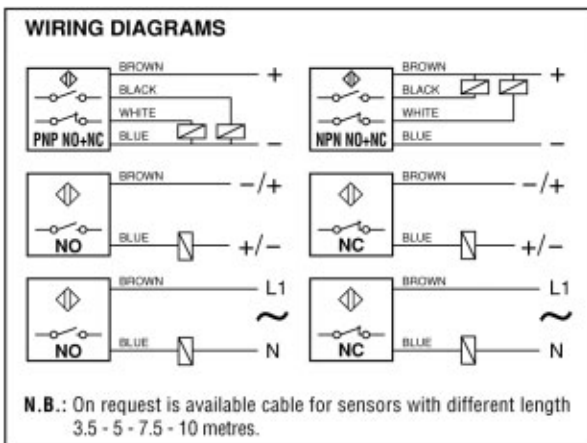
### Rectangular DC 4/2 & AC 2 Wire

#### FEATURES:

- Adjustable operating distance up to 60 mm
- 4 wire DC models have both NO and NC outputs
- 2 wire AC and DC models are NO or NC programmable
- Short circuit & reverse polarity protection in DC versions
- LED function indicator

		MODEL		
		4 Wire DC	2 Wire DC	2 Wire AC
Output Function	NPN, NO + NC	S3156		
	PNP, NO + NC	S3157		
	NO/NC select		S3158	S3312
Dimensions: mm 1 mm = .03937"				
CE				
Operating Distance (Sn)		10 - 60 (adjustable)		
Power Supply		10-55 Vdc	10-55 Vdc	20-250 Vac
Max Switching Current		200 mA	100 mA	300 mA
Min Switching Current		—	1.5 mA	5 mA
Max Peak Current for 20ms		—	—	1.5 A
Residual Current		—	<0.6 mA	< 1mA
Power Drain (24Vdc)		< 10 mA	—	—
Voltage Drop (sensor ON)		< 1.8	<6.5	< 6
Short Circuit Protection		Yes		
Operating Frequency		50 Hz	50 Hz	12 Hz
Repeatability (%Sn)		≤ 3 %		
Hysteresis (%Sn)		< 10% (Sn = 50mm)		
Case		Plastic		
Flush Mounting		No		
Protection Degree		IP 65		
Operating Temperature		- 25 to 70 °C		
Output Connection		Connector (C2)*		

\* Mating connector with screw terminals included



## Rectangular DC 4/2 & AC 2 Wire

**FEATURES:**

- Adjustable operating distance up to 60 mm
- 4 wire DC models have both NO and NC outputs
- Short circuit & reverse polarity protection in DC versions
- Protection degree IP67: dust tight and protection from the effects of immersion
- LED function indicator

		MODEL		
		4 Wire DC	2 Wire DC	2 Wire AC
Output Function	NPN, NO + NC	S3840		
	PNP, NO + NC	S3841		
	NO		S3842	S3844
	NC		S3843	S3845
Dimensions: mm 1 mm = .03937"				
<b>Operating Distance (Sn)</b>		<b>10 - 60 (adjustable)</b>		
Power Supply		10-55 Vdc	10-55 Vdc	20-250 Vac
Max Switching Current		200 mA	100 mA	300 mA
Min Switching Current		—	1.5 mA	5 mA
Max Peak Current for 20ms		—	—	1.5 A
Residual Current		—	<0.6 mA	< 1mA
Power Drain (24Vdc)		< 10 mA	—	—
Voltage Drop (sensor ON)		< 1.8	<6.5	< 6
Short Circuit Protection		Yes		—
Operating Frequency		50 Hz	50 Hz	12 Hz
Repeatability (%Sn)		≤ 3 %		
Hysteresis (%Sn)		< 10% (Sn = 50mm)		
Case		Plastic		
Flush Mounting		No		
Protection Degree		IP 67		
Operating Temperature		- 25 to 70 °C		
Output Connection		Cable PVC: L = 2 m		

**INSTRUCTIONS FOR CORRECT INSTALLATION**

	A	B	C
Dimensions mm	≥450	≥45	≥70

**N.B.:** A-B-C ratings are referred to Sn = 35 mm. To adjust less or more sensitivity they either must be decreased or increased.